



www.fisher-price.com

B1480 Instructions



Product features and decoration may vary from the photograph above.

Please keep this instruction sheet for future reference, as it contains important information.

Adult assembly is required.

Requires three "AA" batteries (included).

Tools required for assembly: Phillips Screwdriver, Hammer and Scrap Block of Wood (not included).

If you have any questions about this product, or are missing a part, please call us toll-free at **1-800-432-5437**, **rather than return this product to the store.** We are available between 8 AM - 6 PM EST Monday through Friday.

Hearing-impaired consumers using TTY/TTD equipment, please call **1-800-382-7470**.

Visit us on-line at www.service.mattel.com.

Or write to: Fisher-Price® Consumer Relations, 636 Girard Avenue, East Aurora, N.Y. 14052.

Age: 2-6 years.

Weight limit: 60 lbs (27 kg).

Action Sounds Trike

Parts

IMPORTANT!

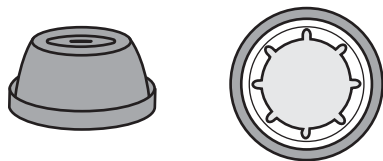
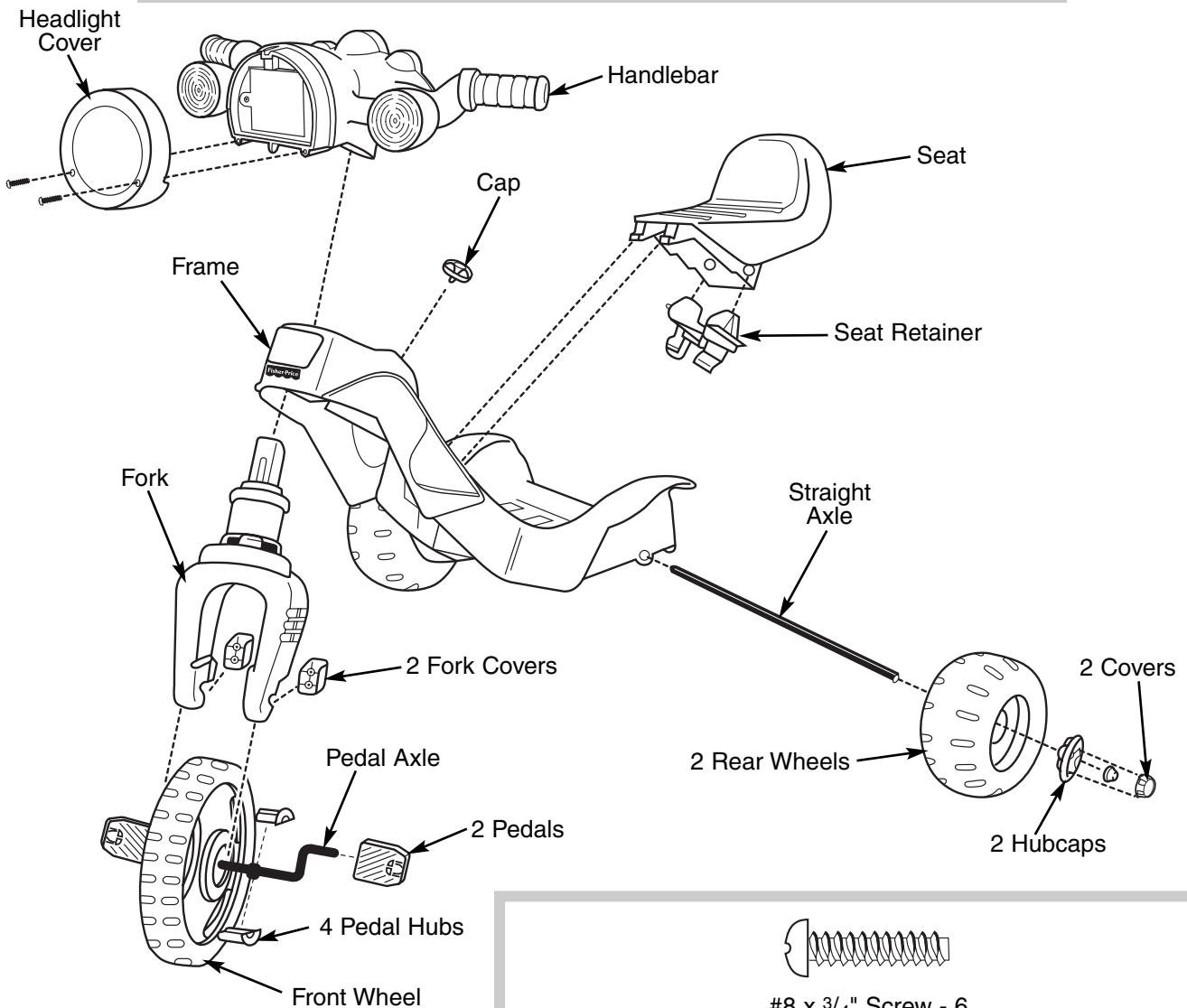
- Please save all packaging material until assembly is complete to ensure that no parts are discarded.
- If you are missing a part, please call toll-free **1-800-432-5437**, rather than return this product to the store.
- Please wipe each part with a clean, dry cloth before assembly.



CAUTION

This product contains small parts in its unassembled state. Adult assembly is required.

Note: Some parts shown are assembled to both sides of the trike. Part not shown: Label Sheet.



Cap Nut - 2
SHOWN ACTUAL SIZE



#8 x 3/4" Screw - 6

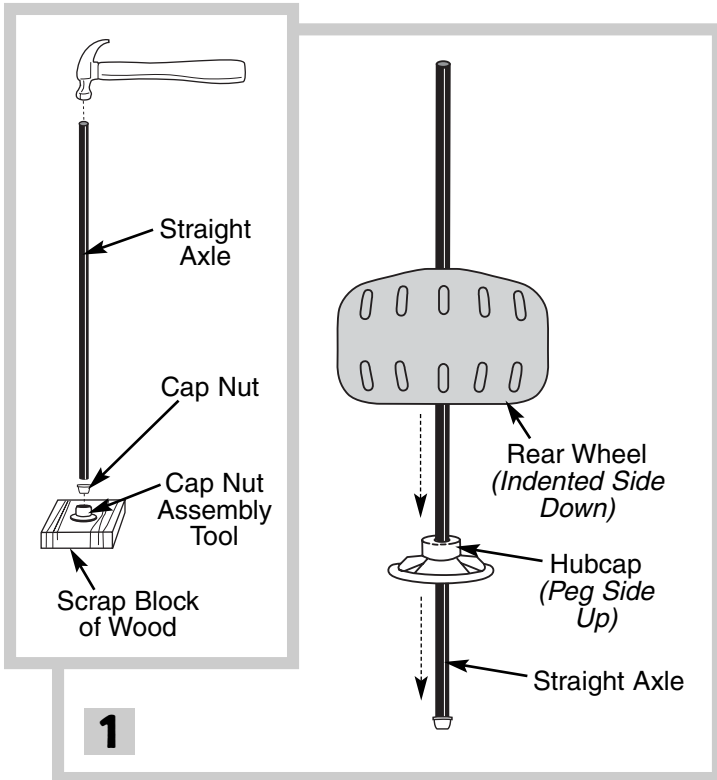


#8 x 3" Screw - 1

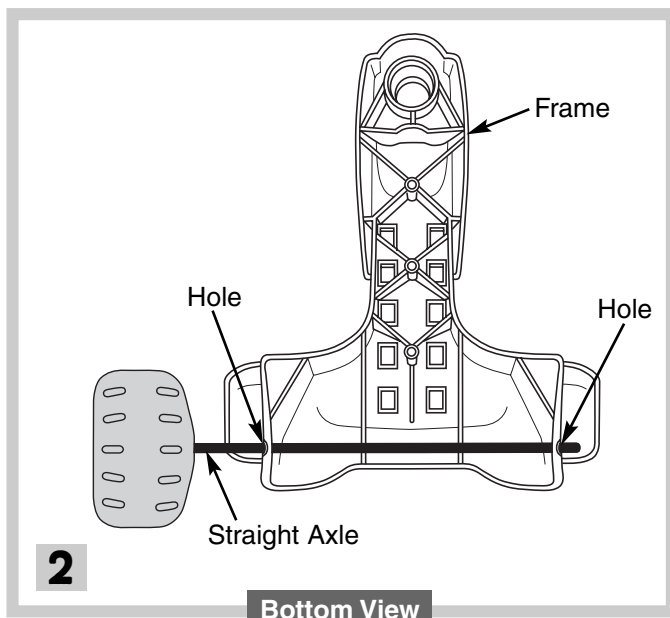
Note: Tighten and loosen all screws with a Phillips screwdriver. Do not over-tighten screws.

BOTH SHOWN ACTUAL SIZE

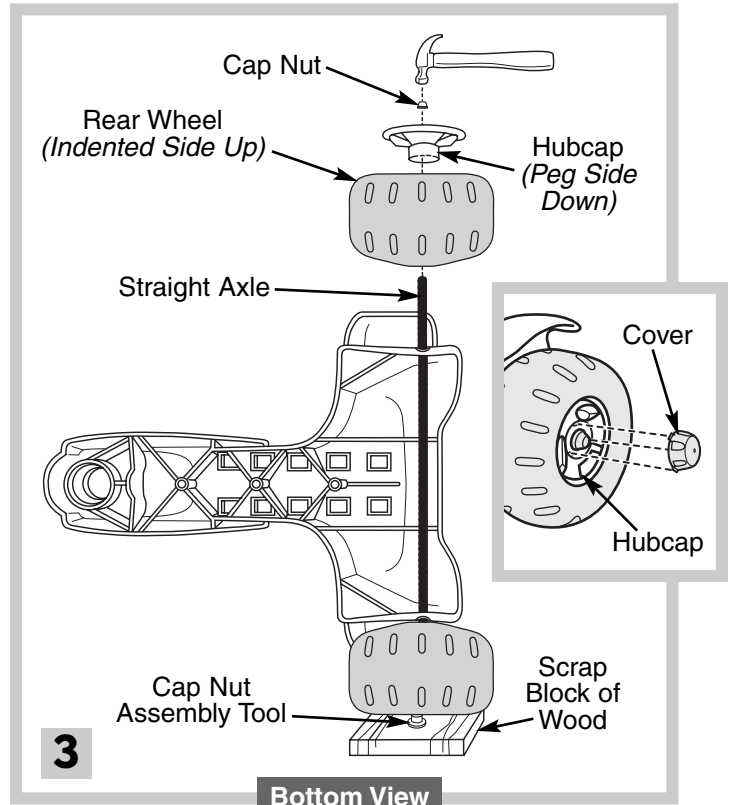
Assembly



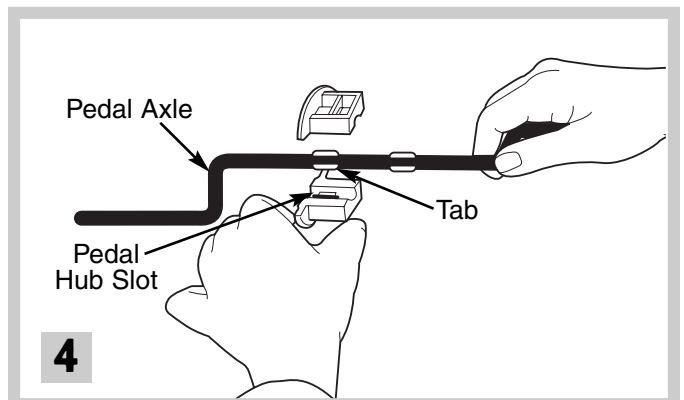
- Fit a cap nut into the cap nut assembly tool. Place one end of the straight axle into the cap nut.
- Tap the end of the straight axle with a hammer. **Make sure the cap nut is securely attached to the straight axle.**
- Slide a hubcap (*peg side up*) onto the straight axle.
- Slide a rear wheel (*indented side down*) onto the straight axle.



- Turn the frame upside-down.
- Insert the straight axle through the holes in the rear of the frame.

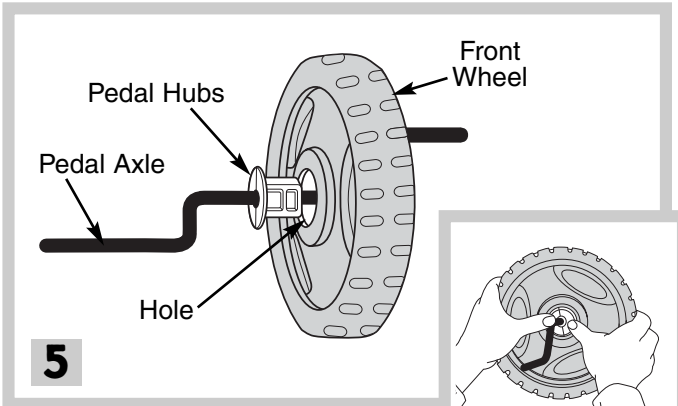


- Turn the frame on its side with the exposed end of the straight axle up.
- Place the cap nut assembly tool under the assembled rear wheel and onto the cap nut.
- Slide a rear wheel (*indented side up*) onto the end of the straight axle.
- Slide a hubcap (*peg side down*) onto the straight axle.
- Place a cap nut on the end of the straight axle. Tap the cap nut with a hammer. **Gently pull the rear wheel up to be sure the cap nut is securely attached to the straight axle.**
- Insert one of the tabs on a cover into a slot in the hubcap. Push to snap the cover into place. Repeat this procedure to attach the other cover to the other hubcap.

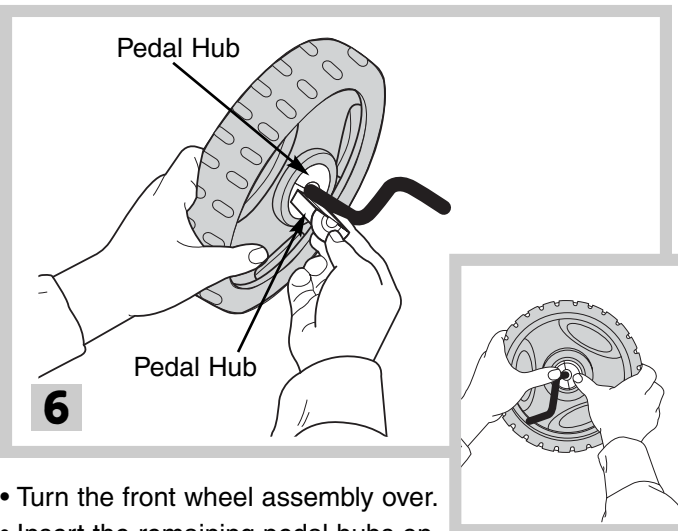


- Fit two pedal hubs onto the pedal axle tabs. Make sure the tabs fit into the slot in each pedal hub.

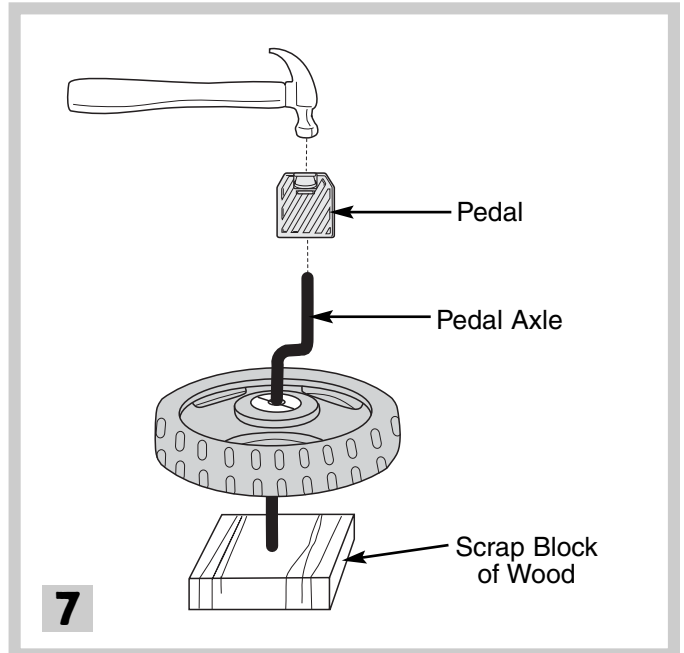
Assembly



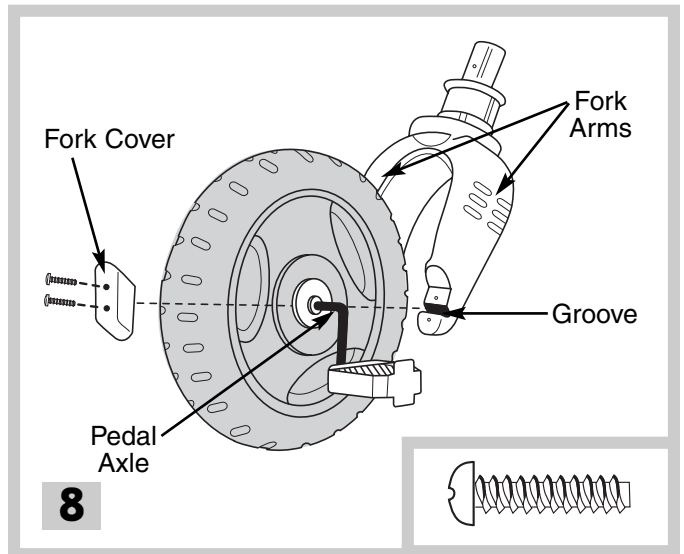
- While holding the pedal hubs on the pedal axle, insert the pedal axle through the hole in the center of the front wheel.
- Push the pedal hubs into the center of the front wheel until they are flush with the surface of the front wheel.



- Turn the front wheel assembly over.
- Insert the remaining pedal hubs on top of and below the pedal axle and into the hole in the center of the front wheel.
- Push the pedal hubs into the center of the front wheel until they are flush with the surface of the front wheel.



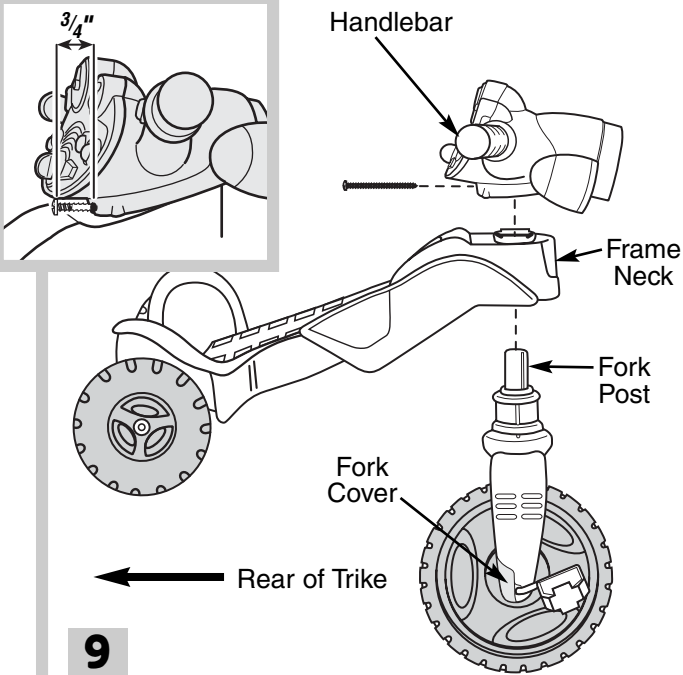
- Fit a pedal on the pedal axle. Tap the pedal with a hammer until it is secure.
- Pull the pedal up to be sure it is secure. If you can remove it, you have not secured it properly. Tap it with the hammer again.
- Repeat this procedure to attach the other pedal to the other end of the pedal axle.



- Place the front wheel assembly between the fork arms. Make sure the pedal axle fits into the groove at the bottom of each fork arm.
- Place a fork cover over the pedal axle on one fork arm.
- Insert two #8 x $\frac{3}{4}$ " screws into the fork cover and tighten.
- Repeat this procedure to attach the other fork cover to the other fork arm.

Assembly

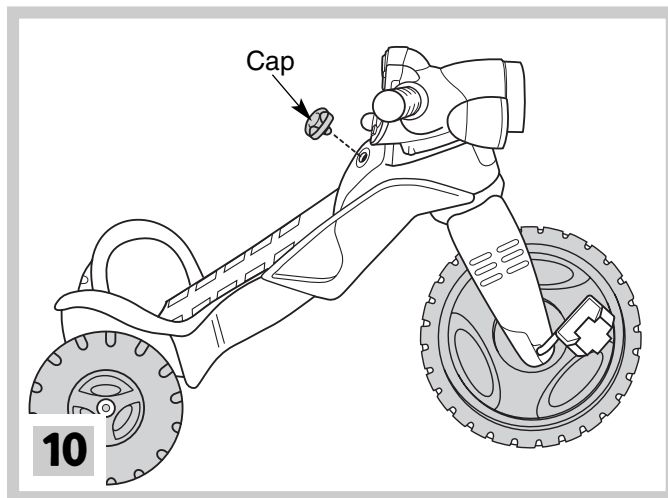
FIRST, insert the screw so that $\frac{3}{4}$ " is visible. THEN, tighten the screw.



9

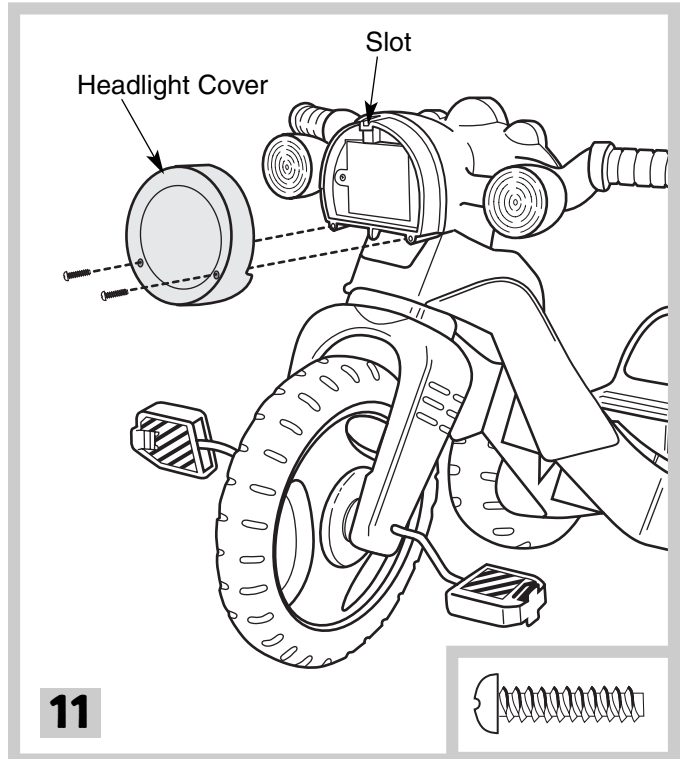


- Insert the fork post up through the hole in the neck of the frame. **Make sure the fork is positioned so that the fork covers face the rear wheels.**
- Place the handlebar onto the fork post and push it down onto the frame. Make sure the handlebar is positioned so that the screw hole faces the rear wheels and aligns with the screw hole in the fork post.
- Insert the #8 x 3" screw through the hole in the handlebar and into the fork post so that part of the screw (about $\frac{3}{4}$ ") is still visible. Tighten the screw.



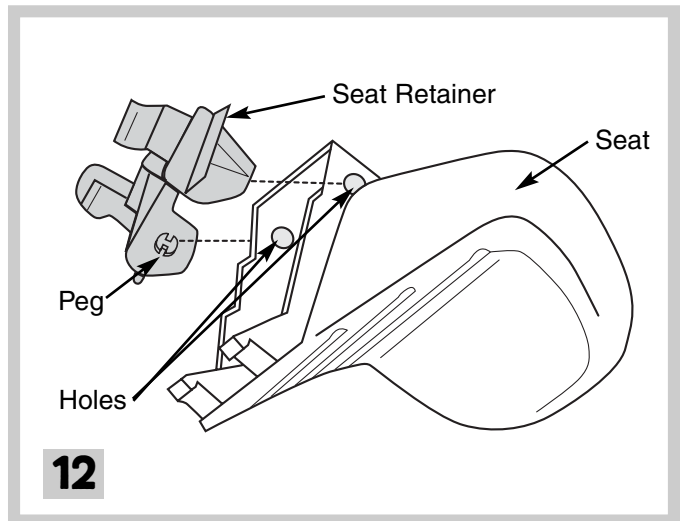
10

- Insert and "snap" the cap into the hole in the frame.



11

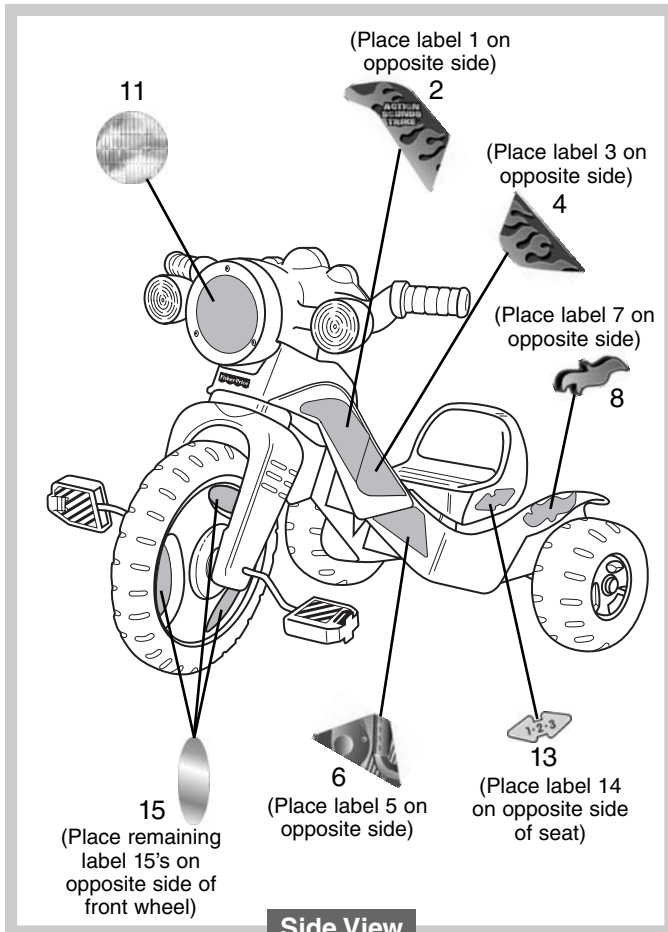
- Fit the tab on the headlight cover to the slot in the top of the handlebar.
- Insert two #8 x $\frac{3}{4}$ " screws into the headlight cover. Tighten the screws. Do not over-tighten.



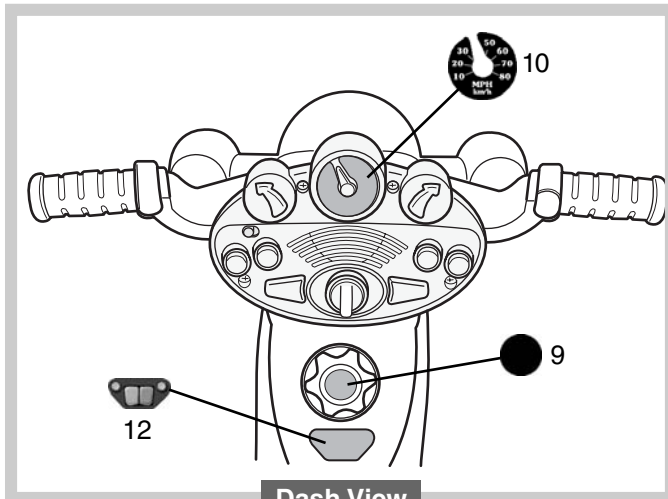
12

- Turn the seat upside-down.
- Fit the small pegs on the seat retainer into the holes in the seat.

Label Decoration



Side View



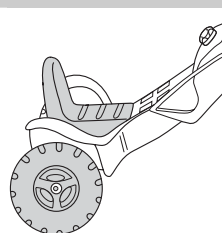
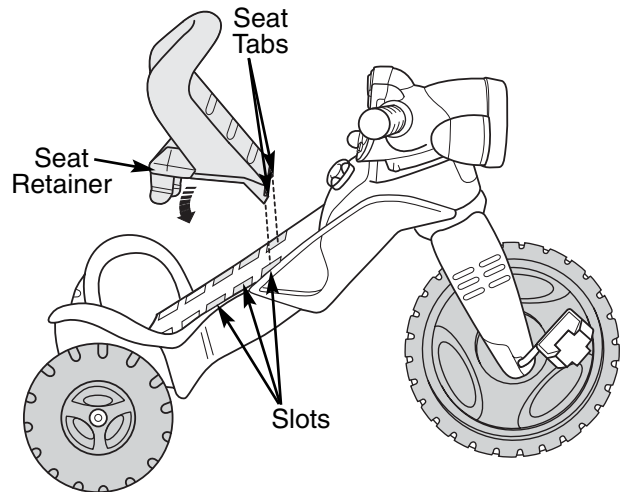
Dash View

Proper label application will help to keep the labels looking their best!

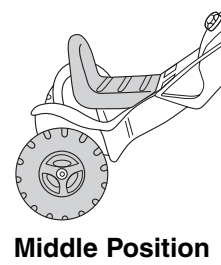
- Wash your hands before applying the labels.
- Make sure the areas where the labels will be applied are clean and dry. Wipe your vehicle with a clean, soft, dry cloth to remove any dust or oils.
- For best results, avoid applying a label more than once.
- Apply the labels as shown in the illustration above.
- After applying a label, rub the label firmly with a cloth to make sure the label is adhered to your vehicle.

Attaching the Seat

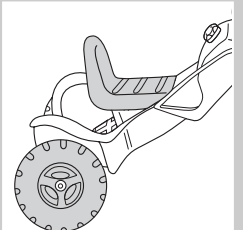
Hint: The seat can be attached to the frame in any of three positions, depending on the size of your child. Check your child's fit on the trike by observing the seat to pedal distance, as it is being ridden. If the pedals seem too far away or too close for your child, move the seat up or down.



Lower Position



Middle Position

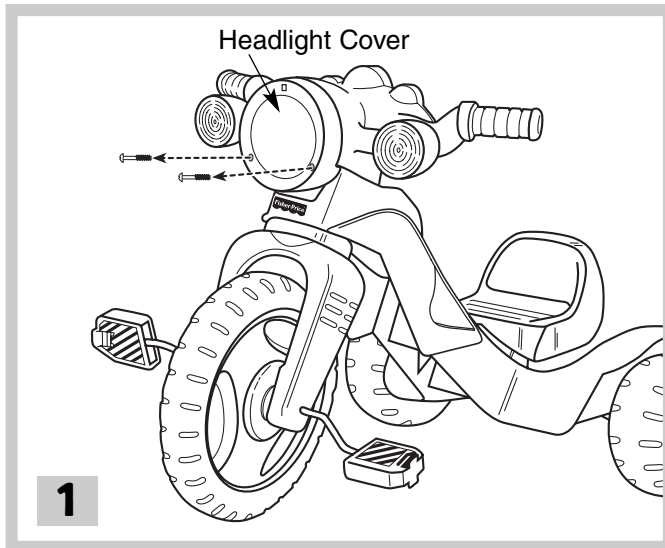


Upper Position

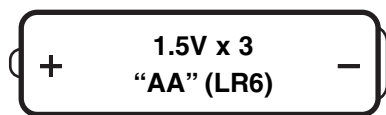
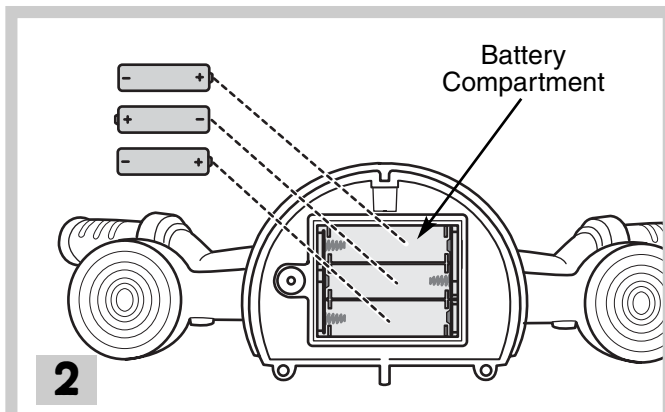
- At an angle, insert the tabs on the seat into any of the top three sets of slots for the lower, middle or upper position.
- Lower the seat so that the seat retainer inserts and snaps into the slots in the frame.
- Pull up on the seat to be sure it is secure.

Battery Installation

For best performance, we recommend replacing the batteries that came with this trike, with three, new, **alkaline** "AA" (LR6) batteries.



- Loosen and remove the two screws from the headlight cover. Remove the headlight cover.



SHOWN ACTUAL SIZE

Hint: When sound or lights become faint or stop, it's time for an adult to replace the batteries. We recommend the use of alkaline batteries for longer battery life.

- Loosen the screw in the battery compartment door. Open the battery compartment door.
- Insert three "AA" (LR6) **alkaline** batteries.
- Close the battery compartment door and tighten the screw.
- Replace the headlight cover. Replace the screws and tighten.

Battery Safety Information

In exceptional circumstances, batteries may leak fluids that can cause a chemical burn injury or ruin your product. To avoid battery leakage:

- Do not mix old and new batteries or batteries of different types: alkaline, standard (carbon-zinc) or rechargeable (nickel-cadmium).
- Insert batteries as indicated inside the battery compartment.
- Remove batteries during long periods of non-use. Always remove exhausted batteries from the toy (product). Dispose of batteries safely. Do not dispose of batteries in a fire. The batteries may explode or leak.
- Never short-circuit the battery terminals.
- Use only batteries of the same or equivalent type, as recommended.
- Do not charge non-rechargeable batteries.
- Remove rechargeable batteries from the product before charging.
- If removable, rechargeable batteries are used, they are only to be charged under adult supervision.

Care

- Check the plastic parts regularly and if broken or cracked, dispose of them properly.
- Check all fasteners regularly to be sure they are tight. If the fasteners are not tight, tighten them as necessary.
- To clean, use a mild soap and water solution and a clean cloth. Rinse clean with water to remove soap residue.

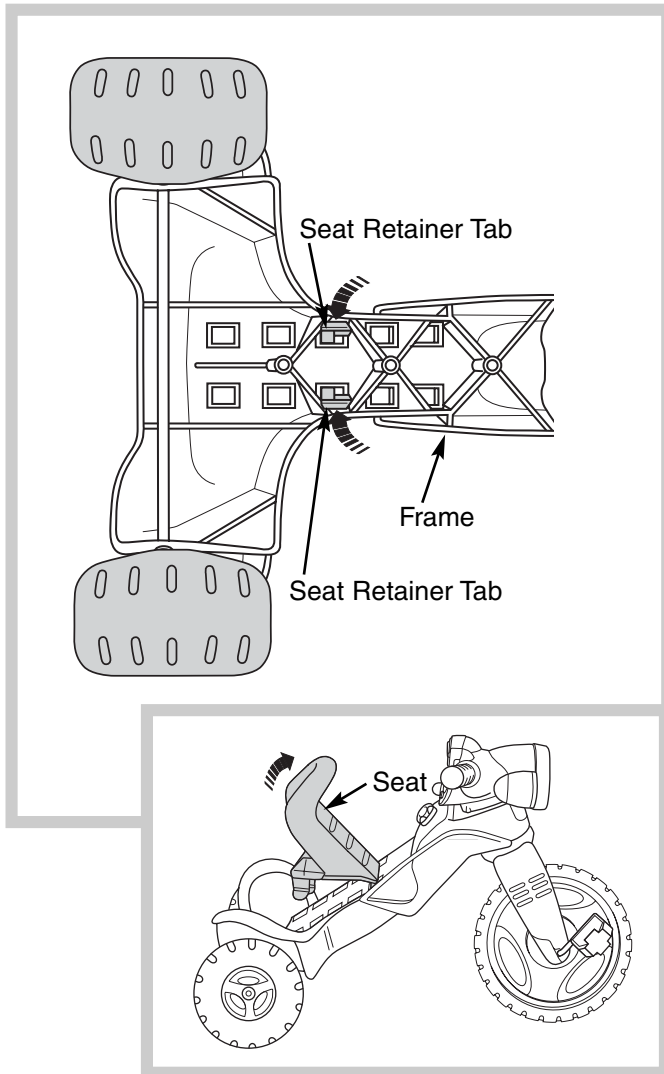
FCC Statement (United States Only)

This equipment has been tested and found to comply with the limits for a Class B digital device, pursuant to part 15 of the FCC rules. These limits are designed to provide reasonable protection against harmful interference in a residential installation. This equipment generates, uses and can radiate radio frequency energy and, if not installed and used in accordance with the instructions, may cause harmful interference to radio communications. However, there is no guarantee that interference will not occur in a particular installation. If this equipment does cause harmful interference to radio or television reception, which can be determined by turning the equipment off and on, the user is encouraged to try to correct the interference by one or more of the following measures:

- Reorient or relocate the receiving antenna.
- Increase the separation between the equipment and receiver.
- Consult the dealer or an experienced radio/TV technician for help.

NOTE: Changes or modifications not expressly approved by the manufacturer responsible for compliance could void the user's authority to operate the equipment.

Removing the Seat

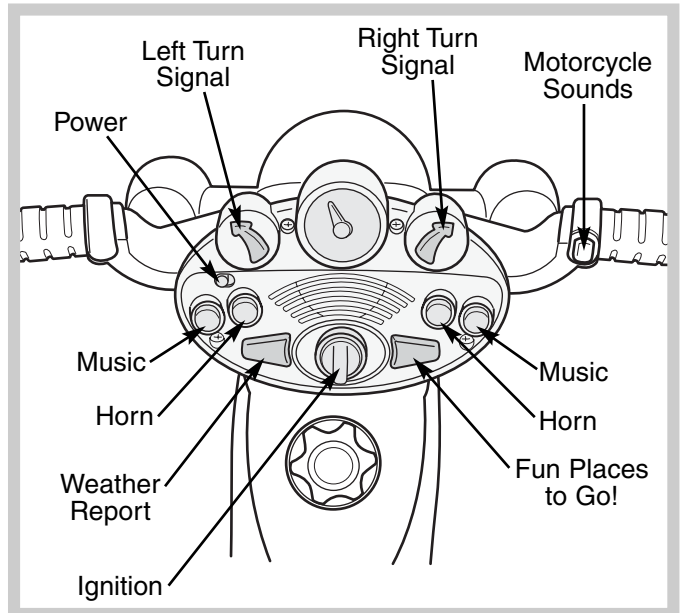


- Turn the frame on its side.
- Squeeze the seat retainer tabs toward one another and lift the seat from the frame.

Let's Go!

⚠ WARNING

- Adult supervision is required.
- Never use near steps, sloped driveways, hills, roadways, alleys, swimming pool areas or other bodies of water.
- Always wear shoes or sneakers.
- Never allow more than one rider.



- Slide the power switch on **⊙**.
- Turn the ignition, "VRRROOM!"
- Press the left or right turn signals for flashing blinkers.
- Press any of the buttons for motorcycle sounds, a horn, music, a weather report and fun places to go!

IMPORTANT! It is good practice to start training children very young regarding the importance of helmet use. When children are older and riding bicycles and faster vehicles, it is important that they use a helmet each and every time they ride. For this reason, even while riding a tricycle, it is a good idea to familiarize your child with helmet use, so that it becomes a habit for life. Choose a helmet that complies with requirements of the applicable certifying agency for bicycle helmets.

For other countries outside the United States:

CANADA: Questions? 1-800-432-5437. Mattel Canada Inc., 6155 Freemont Blvd., Mississauga, Ontario L5R 3W2; www.service.mattel.com.

GREAT BRITAIN: Mattel UK Ltd., Vanwall Business Park, Maidenhead SL6 4UB. Helpline: 01628 500302.

AUSTRALIA: Mattel Australia Pty. Ltd., 658 Church Street, Locked Bag #870, Richmond, Victoria 3121 Australia.
Consumer Advisory Service 1300 135 312.

NEW ZEALAND: 16-18 William Pickering Drive, Albany 1331, Auckland.

ASIA: Mattel East Asia Ltd, Room 1106, South Tower, World Finance Centre, Harbour City, Tsimshatsui, HK, China.

Fisher-Price, Inc., a subsidiary of Mattel, Inc., East Aurora, NY 14052 U.S.A.

©2005 Mattel, Inc. All Rights Reserved. © and ™ designate U.S. trademarks of Mattel, Inc.